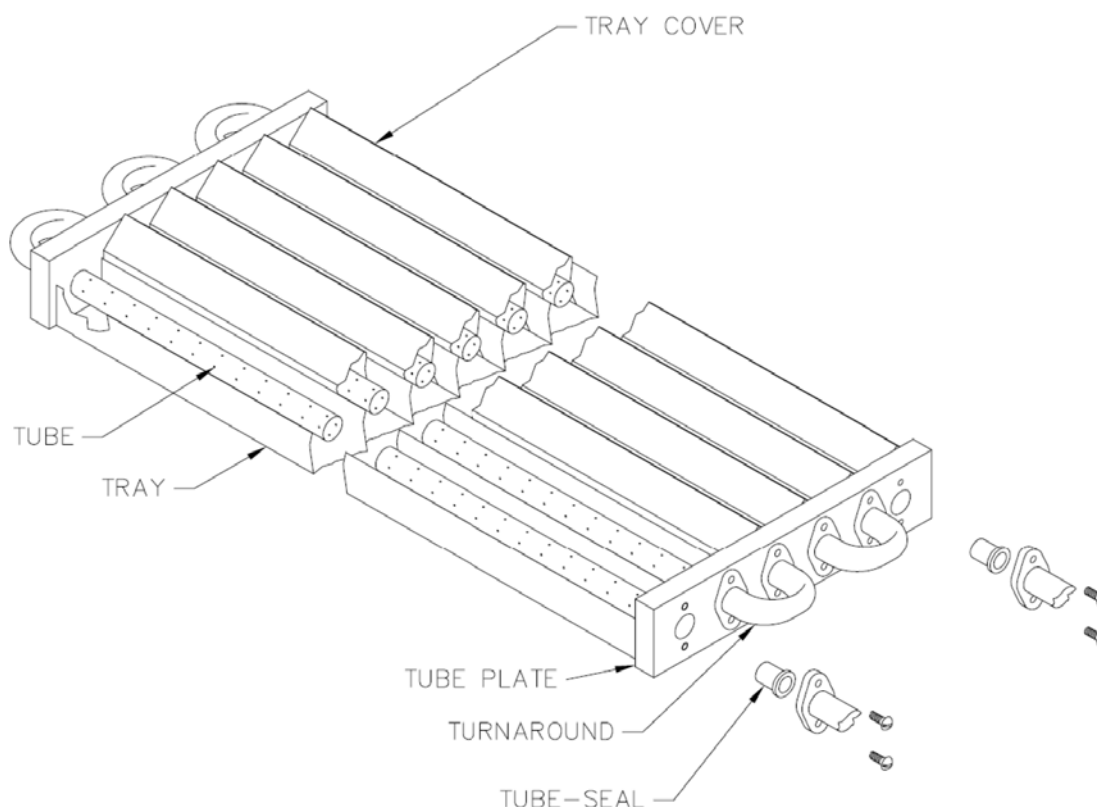


SINGLE TUBE TESTER

for lab pilot scale trials



The PCI Single Tube Tester is designed for the economical, quick, initial evaluation of membrane types and processes for separation and concentration at laboratory scale prior to more detailed testwork. It may be fitted with samples of any of PCI's wide range of tubular reverse osmosis, nanofiltration or ultrafiltration membranes. Constructed of 316 stainless steel, the Single Tube Tester is designed to be fitted to PCI's Membrane Filtration Pilot Unit but termination points are available to allow easy connection by flexible or welded couplings to other pilot units.

Up to three membrane types can be fitted at the same time and each has its own permeate collection channel so that testing under identical conditions of feed composition and temperature can be carried out. Shown below, the Single Tube Tester is available with a length of 1.2 m and is thus able to accept the whole range of PCI's membranes, standard and experimental, without modification. Packs containing six membranes of one type are available from PCI for test purposes.

PCI can make recommendations for experimental operating conditions and test programmes as these can vary greatly depending on membrane type, feed fluid characteristics, experimental objectives, etc.