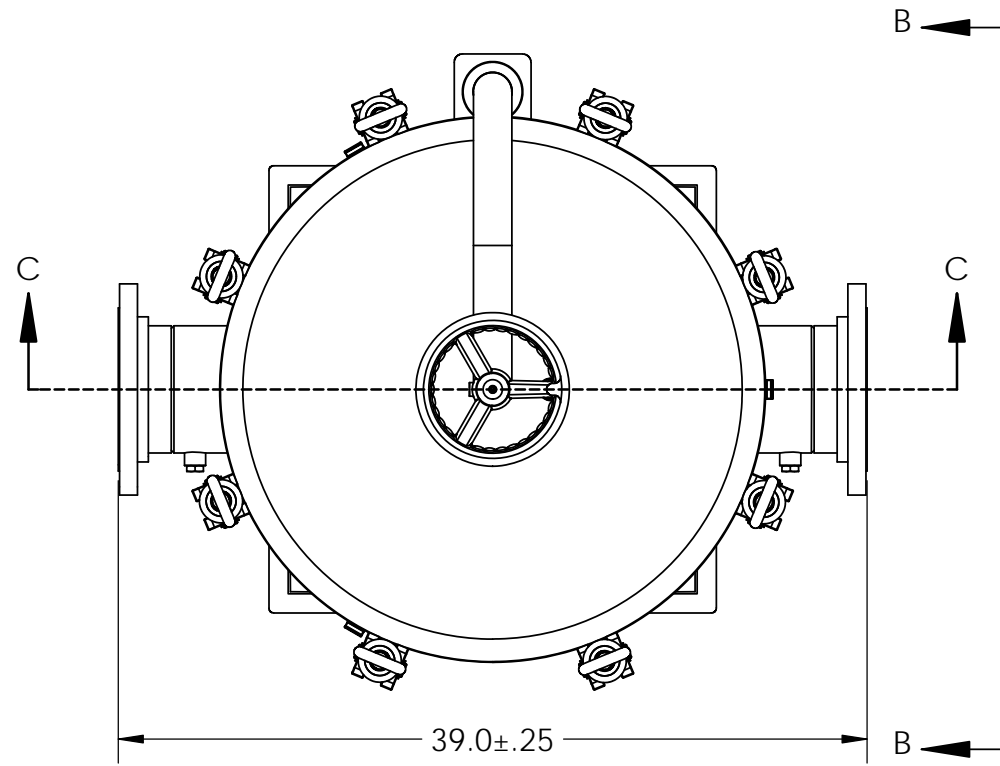
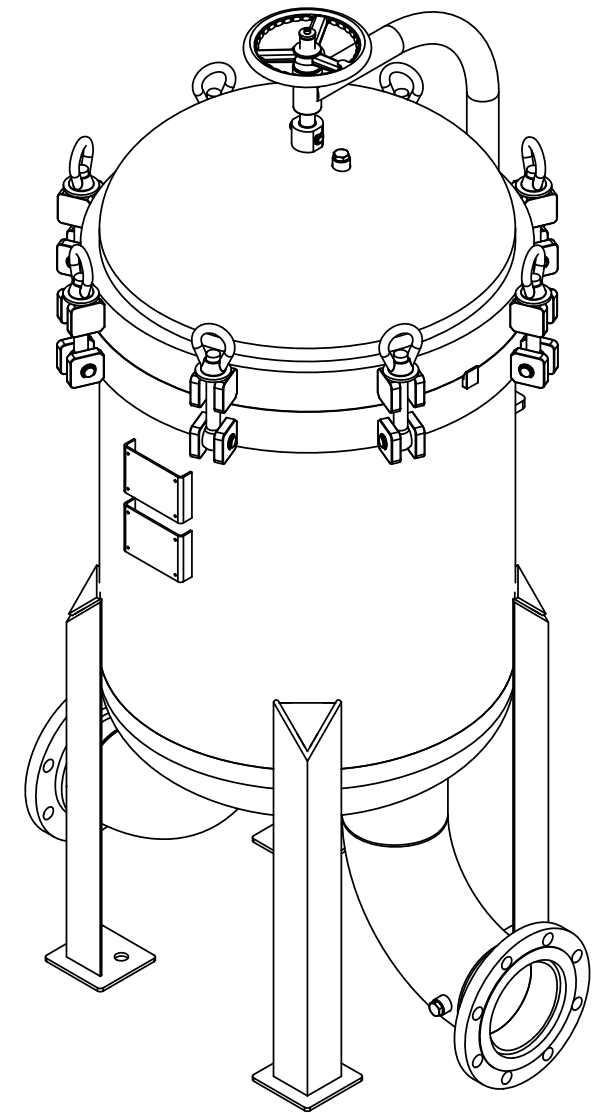


- NOTES:
- SEE SHEET 2 FOR BILL OF MATERIALS AND NOZZLE SCHEDULE.
  - ALL MODELS COMPLY WITH REQUIREMENTS FOR DESIGN AND CONSTRUCTION IN ACCORDANCE WITH THE ASME BOILER & PRESSURE VESSEL CODE, SECTION VIII, DIVISION 1. MODELS BEARING THE "U" OR "UM" STAMP ARE REGISTERED WITH THE NATIONAL BOARD OF BOILER AND PRESSURE VESSEL INSPECTORS.
  - ASME CODE STAMPED VESSELS WILL HAVE TWO NAME PLATE BRACKETS, NON-CODE STAMPED VESSELS WILL HAVE ONE NAME PLATE BRACKET.

TABULATION		
PART NO.	DESCRIPTION	GLOBAL FILTER MODEL NO.
CS077-01	FLTR HSG ASSY, GMBV6 SER 6" FLG, 304 SS, CODE	GMBV6306F415GBU
CS077-02	FLTR HSG ASSY, GMBV6 SER 6" FLG, 304 SS	GMBV6306F415GB
CS077-03	FLTR HSG ASSY, GMBV6 SER 6" FLG, 316 SS, CODE	GMBV6306F615GBU
CS077-04	FLTR HSG ASSY, GMBV6 SER 6" FLG, 316 SS	GMBV6306F615GB



VIEW A-A



SHIPPING WEIGHT AND SIZE MAY DIFFER FROM STATED VALUES DUE TO PALLETIZING AND QUANTITY CONSIDERATIONS

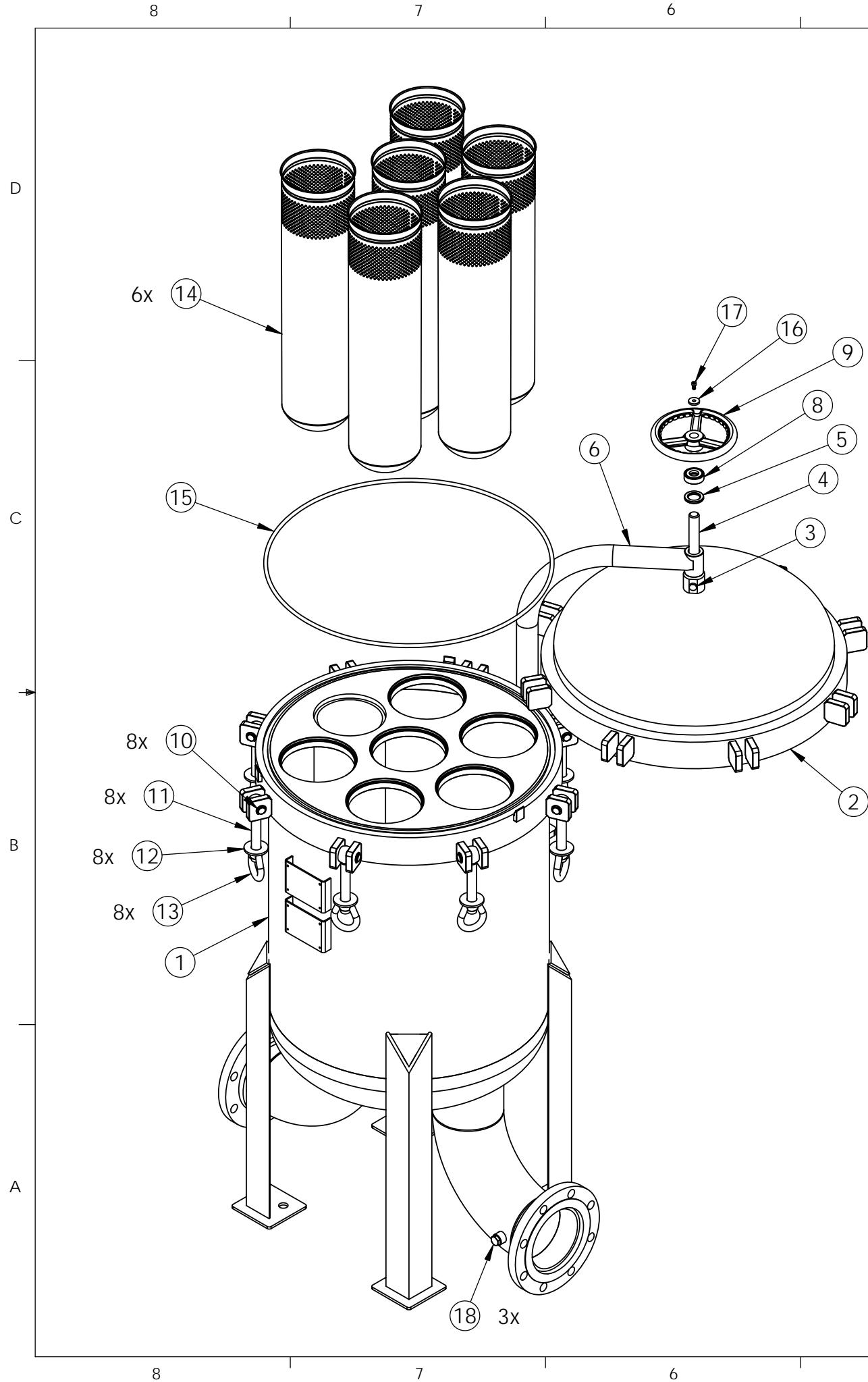
VESSEL SIZE	BOXED WEIGHT (LBS)	BOX SIZE (INCHES)
SIZE 2	960	45 x 48 x 83

REFERENCE ENGINEERING DRAWING 21063

**PROPRIETARY AND CONFIDENTIAL**  
 THE INFORMATION CONTAINED IN THIS DRAWING IS THE SOLE PROPERTY OF GLOBAL FILTER LLC. ANY REPRODUCTION IN PART OR AS A WHOLE WITHOUT THE WRITTEN PERMISSION OF GLOBAL FILTER LLC IS PROHIBITED.

MATERIAL		SEE TABULATION TABLE	
FINISH		SEE TABULATION TABLE	
A	EC141118-01	NAME	DATE
REV	EC NUMBER	DRAWN BY	ME 12-5-14
EC HISTORY		ENG APPR.	EG 12-5-14

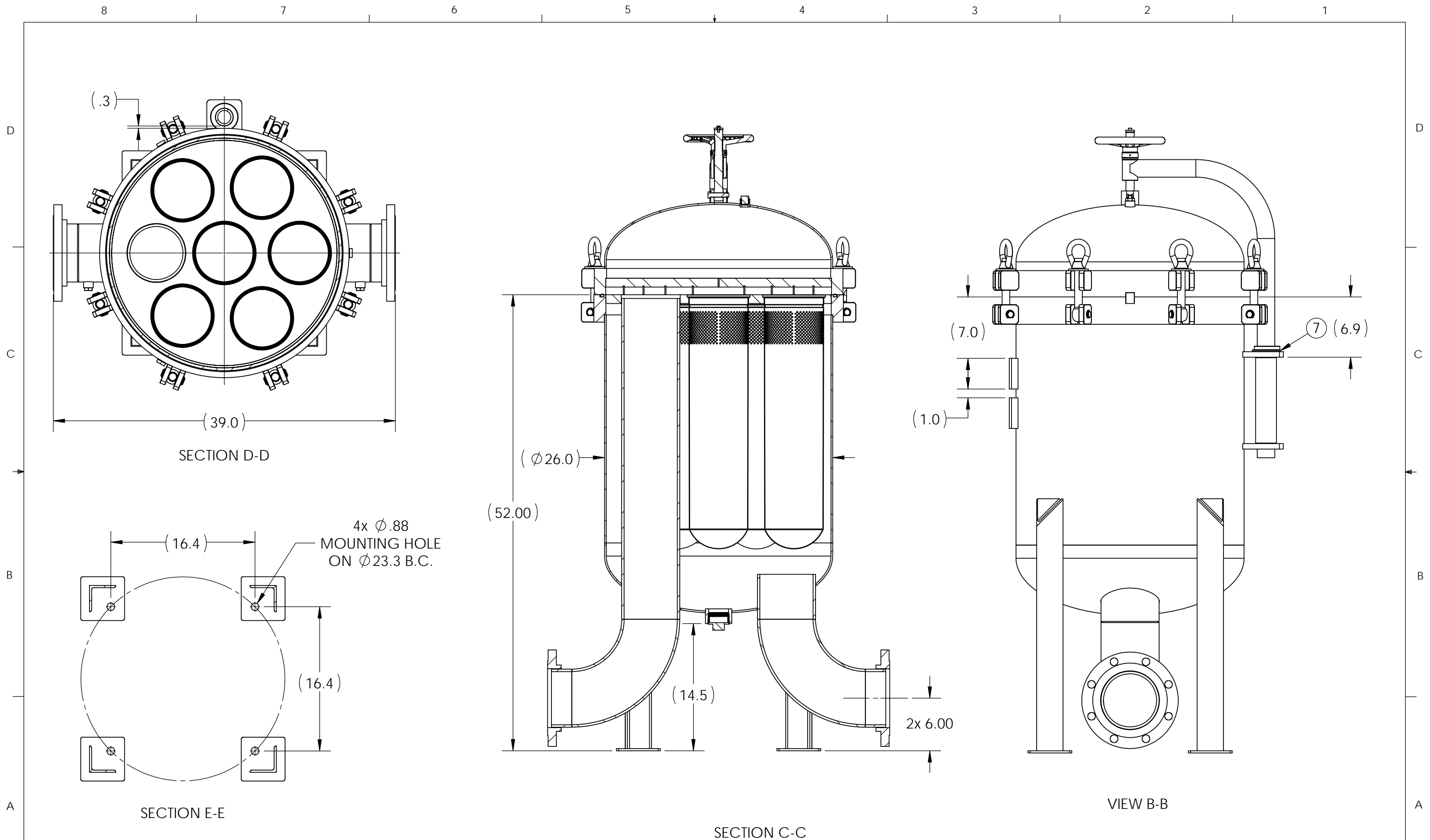
<b>GLOBAL FILTER LLC</b>		
TITLE: FLTR HSG ASSY, GMBV6306F SERIES, TAB		
SIZE <b>B</b>	DWG. NO. <b>CS077</b>	REV <b>A</b>
SCALE: 1:10	WEIGHT:	SHEET 1 OF 3



BILL OF MATERIALS					
ITEM	DESCRIPTION	CS077-xx			
		-01 QTY	-02 QTY	-03 QTY	-04 QTY
1	HSG WELDMNT, GMBV630 SER, 6" FLG, 304 SS, CODE	1			
	HSG WELDMNT, GMBV630 SER, 6" FLG, 304 SS		1		
	HSG WELDMNT, GMBV630 SER, 6" FLG, 316 SS, CODE			1	
	HSG WELDMNT, GMBV630 SER, 6" FLG, 316 SS				1
2	LID WELDMNT, GMBV6 SERIES, 304 SS	1	1		
	LID WELDMNT, GMBV6 SERIES, 316 SS			1	1
3	CLEVIS PIN WITH EXT. RET. RING KIT, 304 SS	1	1		
	CLEVIS PIN WITH EXT. RET. RING KIT, 316 SS			1	1
4	THRD ROD, DAVIT ARM, 4 & 6 BAG VSL, 304 SS	1	1		
	THRD ROD, DAVIT ARM, 4 & 6 BAG VSL, 316 SS			1	1
5	THRUST WASHER, DAVIT ARM, 4 & 6 BAG VSL	1	1	1	1
6	WLDMNT, DAVIT ARM, 4 & 6 BAG VSL, 304 SS	1	1		
	WLDMNT, DAVIT ARM, 4 & 6 BAG VSL, 316 SS			1	1
7	WASHER, ROD, 4 & 6 BAG VESSEL	1	1	1	1
8	7/8" THRUST BEARING	1	1	1	1
9	HAND WHEEL, 8", DAVIT ARM, 304 SS	1	1		
	HAND WHEEL, 8", DAVIT ARM, 316 SS			1	1
10	CLEVIS PIN WITH EXT. RET. RINGS KIT	8	8	8	8
11	EYE BOLT, 7/8"-9 x 5.38" LONG	8	8	8	8
12	WASHER, 7/8 USS 17-7H	8	8	8	8
13	EYE NUT, 7/8"-9, 304 SS	8	8		
	EYE NUT, 7/8"-9, 316 SS			8	8
14	BASKET, ROUND BOTTOM, SIZE 2, STD 304 SS, GLASS BEAD BLAST	6	6		
	BASKET, ROUND BOTTOM, SIZE 2, STD 316 SS, GLASS BEAD BLAST			6	6
15	O-RING, 568 ID x 9 CS, NITRILE	1	1	1	1
16	WASHER, HAND WHEEL STOP	1	1	1	1
17	SCREW, SOCKET HEAD CAP, 6mm x 12mm	1	1	1	1
18	1/2" HEX HEAD PIPE PLUG, 304 SS	3	3		
	1/2" HEX HEAD PIPE PLUG, 316 SS			3	3

NOZZLE SCHEDULE				
NO.	QTY.	SIZE	CLASS	USED
N1	1	6" RF FLANGE	150	INLET
N2	1	6" RF FLANGE	150	OUTLET
N3	1	2" NPT	3000	DRAIN
N4	1	1/2" NPT	3000	VENT
N5	1	1/2" NPT	3000	GAUGE PORT
N6	1	1/2" NPT	3000	GAUGE PORT

SIZE	DWG. NO.	REV
<b>B</b>	<b>CS077</b>	<b>A</b>
SCALE: 1:12	WEIGHT:	SHEET 2 OF 3



SECTION D-D

SECTION E-E

SECTION C-C

VIEW B-B

4x  $\phi .88$   
MOUNTING HOLE  
ON  $\phi 23.3$  B.C.

SIZE <b>B</b>	DWG. NO. <b>CS077</b>	REV <b>A</b>
SCALE: 1:1	WEIGHT:	SHEET 3 OF 3