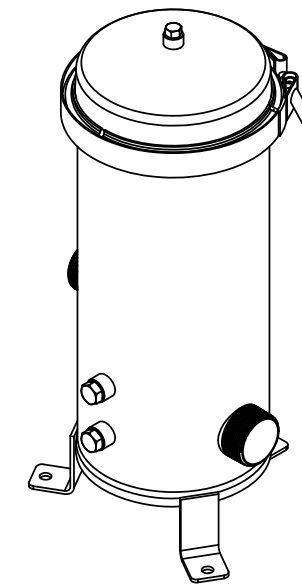


NOTES:  
 1. UNLESS TOLERANCES ARE INDICATED, ALL DIMENSIONS ARE REFERENCE.  
 2. SEE SHEET 2 FOR BILL OF MATERIALS.

SHIPPING WEIGHT AND SIZE MAY DIFFER FROM STATED VALUES DUE TO PALLETIZING AND QUANTITY CONSIDERATIONS

VESSEL SIZE	BOXED WEIGHT (LBS)	BOX SIZE (INCHES)
GTCHB4/5-10"	32	13 x 13 x 26
GTCHB4/5-20"	37	13 x 13 x 35
GTCHB4/5-30"	42	13 x 13 x 45
GTCHB4/5-40"	46	13 x 13 x 56



TABULATION			
PART NO.	DESCRIPTION	GLOBAL FILTER MODEL NO.	DIM A
CS094-01	ASSY, HSG, GTCHB4 304 SS DOE & 222 MNPT, 10"	GTCHB412M2415PC	23.75
CS094-02	ASSY, HSG, GTCHB4 304 SS DOE & 222 MNPT, 20"	GTCHB422M2415PC	33.75
CS094-03	ASSY, HSG, GTCHB4 304 SS DOE & 222 MNPT, 30"	GTCHB432M2415PC	43.75
CS094-04	ASSY, HSG, GTCHB4 304 SS DOE & 222 MNPT, 40"	GTCHB442M2415PC	53.75
CS094-05	ASSY, HSG, GTCHB4 316 SS DOE & 222 MNPT, 10"	GTCHB412M2615PC	23.75
CS094-06	ASSY, HSG, GTCHB4 316 SS DOE & 222 MNPT, 20"	GTCHB422M2615PC	33.75
CS094-07	ASSY, HSG, GTCHB4 316 SS DOE & 222 MNPT, 30"	GTCHB432M2615PC	43.75
CS094-08	ASSY, HSG, GTCHB4 316 SS DOE & 222 MNPT, 40"	GTCHB442M2615PC	53.75
CS094-09	ASSY, HSG, GTCHB5 304 SS DOE & 222 MNPT, 10"	GTCHB512M2415PC	23.75
CS094-10	ASSY, HSG, GTCHB5 304 SS DOE & 222 MNPT, 20"	GTCHB522M2415PC	33.75
CS094-11	ASSY, HSG, GTCHB5 304 SS DOE & 222 MNPT, 30"	GTCHB532M2415PC	43.75
CS094-12	ASSY, HSG, GTCHB5 304 SS DOE & 222 MNPT, 40"	GTCHB542M2415PC	53.75
CS094-13	ASSY, HSG, GTCHB5 316 SS DOE & 222 MNPT, 10"	GTCHB512M2615PC	23.75
CS094-14	ASSY, HSG, GTCHB5 316 SS DOE & 222 MNPT, 20"	GTCHB522M2615PC	33.75
CS094-16	ASSY, HSG, GTCHB5 316 SS DOE & 222 MNPT, 30"	GTCHB532M2615PC	43.75
CS094-16	ASSY, HSG, GTCHB5 316 SS DOE & 222 MNPT, 40"	GTCHB542M2615PC	53.75

REFERENCE ENGINEERING DRAWING 21077

**PROPRIETARY AND CONFIDENTIAL**  
 THE INFORMATION CONTAINED IN THIS DRAWING IS THE SOLE PROPERTY OF GLOBAL FILTER LLC. ANY REPRODUCTION IN PART OR AS A WHOLE WITHOUT THE WRITTEN PERMISSION OF GLOBAL FILTER LLC IS PROHIBITED.

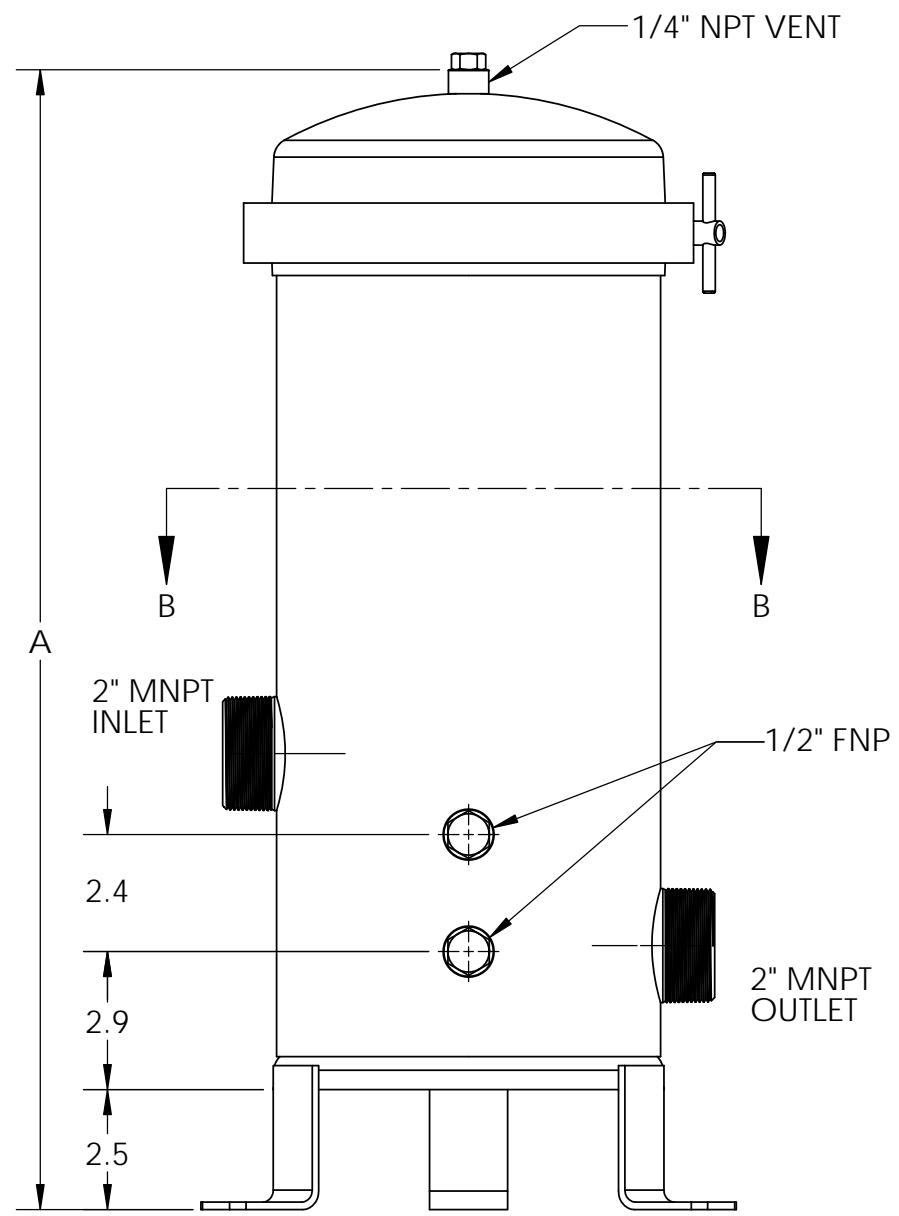
				<b>GLOBAL FILTER LLC</b>	
		MATERIAL SEE TABLE		SIZE <b>B</b>	DWG. NO. <b>CS094</b>
		FINISH DIAMOND SILVER POLYURETHANE PAINT			
A	EC150218-01	NAME	DATE	SCALE: 1:4	
REV	EC NUMBER	ME	2-18-15	WEIGHT:	SHEET 1 OF 3
EC HISTORY		ENG APPR.	EG		

BILL OF MATERIALS

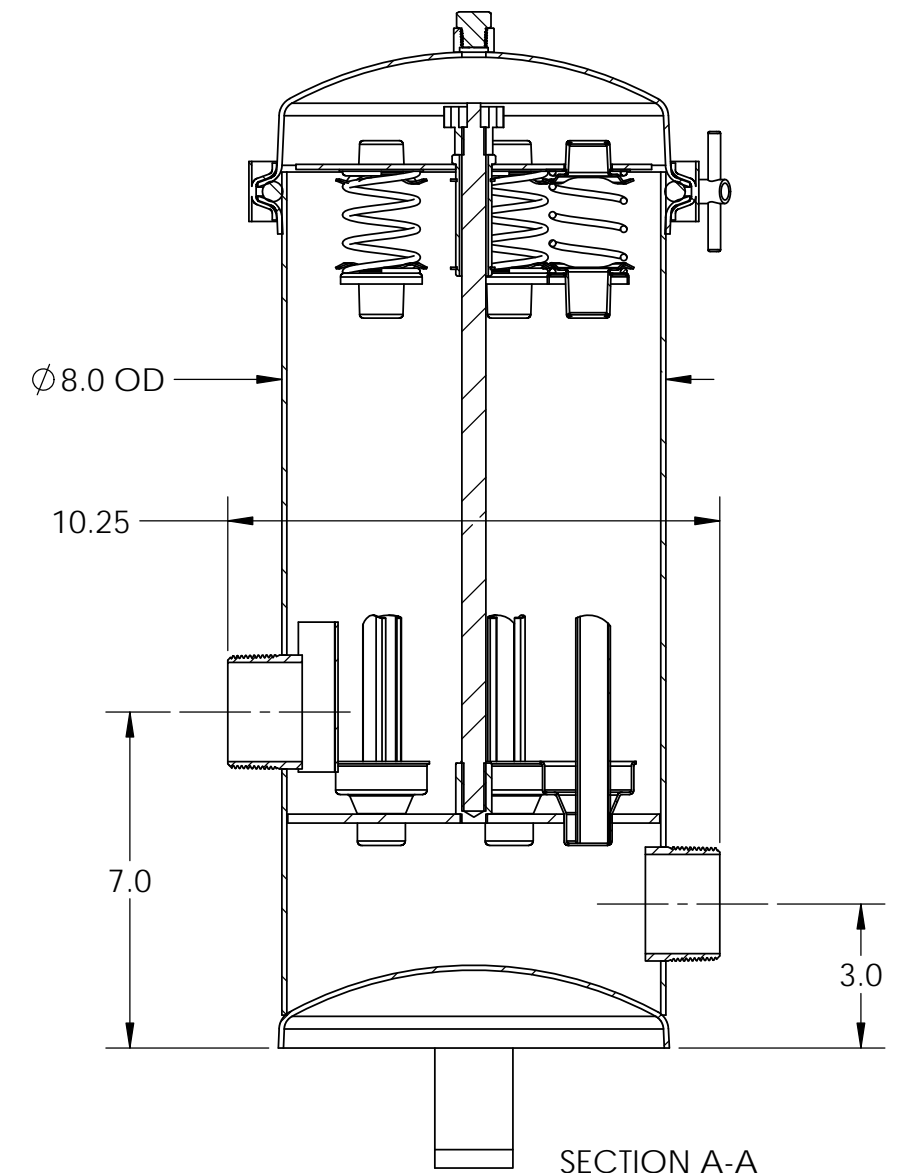
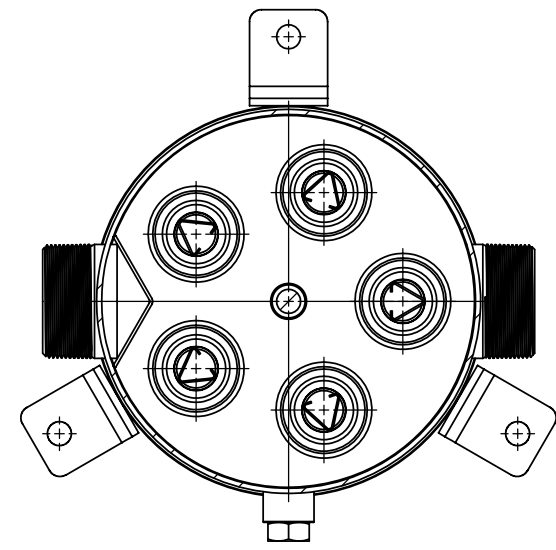
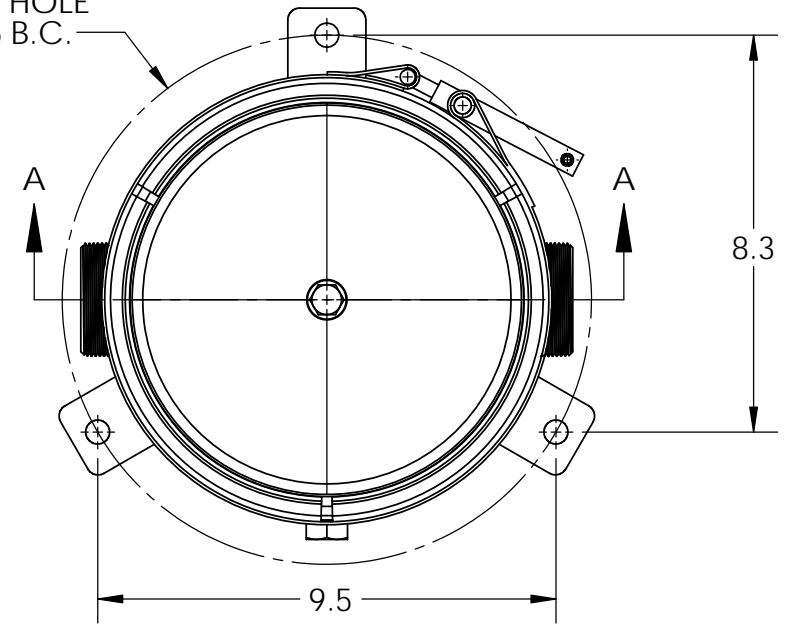
ITEM	DESCRIPTION	CS094-xx															
		-01 QTY	-02 QTY	-03 QTY	-04 QTY	-05 QTY	-06 QTY	-07 QTY	-08 QTY	-09 QTY	-10 QTY	-11 QTY	-12 QTY	-13 QTY	-14 QTY	-15 QTY	-16 QTY
1	WELDMENT, FILTER HSG, GTCHB4&5 RND 304 SS, 10"	1								1							
	WELDMENT, FILTER HSG, GTCHB4&5 RND 304 SS, 20"		1								1						
	WELDMENT, FILTER HSG, GTCHB4&5 RND 304 SS, 30"			1								1					
	WELDMENT, FILTER HSG, GTCHB4&5 RND 304 SS, 40"				1								1				
	WELDMENT, FILTER HSG, GTCHB4&5 RND 316 SS, 10"					1								1			
	WELDMENT, FILTER HSG, GTCHB4&5 RND 316 SS, 20"						1								1		
	WELDMENT, FILTER HSG, GTCHB4&5 RND 316 SS, 30"							1								1	
	WELDMENT, FILTER HSG, GTCHB4&5 RND 316 SS, 40"									1							
2	LID WELDMENT, GTCHB 4 & 5 Series, 304 SS	1	1	1	1					1	1	1	1				
	LID WELDMENT, GTCHB 4 & 5 Series, 316 SS					1	1	1	1					1	1	1	1
3	TIE ROD, GTCHB SERIES, 10" 304 SS	1								1							
	TIE ROD, GTCHB SERIES, 20" 304 SS		1								1						
	TIE ROD, GTCHB SERIES, 30" 304 SS			1								1					
	TIE ROD, GTCHB SERIES, 40" 304 SS				1								1				
	TIE ROD, GTCHB SERIES, 10" 316 SS					1								1			
	TIE ROD, GTCHB SERIES, 20" 316 SS						1								1		
	TIE ROD, GTCHB SERIES, 30" 316 SS							1								1	
	TIE ROD, GTCHB SERIES, 40" 316 SS									1							
4	TIE ROD NUT, GTCHB SERIES, 304 SS	1	1	1	1					1	1	1	1				
	TIE ROD NUT, GTCHB SERIES, 316 SS					1	1	1	1					1	1	1	1
5	SPRING ASSEMBLY, CARTRIDGE VESSELS, 304 SS	4	4	4	4					5	5	5	5				
	SPRING ASSEMBLY, CARTRIDGE VESSELS, 316 SS					4	4	4	4					5	5	5	5
6	HOLD DOWN PLATE, GTCHB 4 RND, 304 SS	1	1	1	1												
	HOLD DOWN PLATE, GTCHB 4 RND, 316 SS					1	1	1	1								
	HOLD DOWN PLATE, GTCHB 5 RND, 304 SS									1	1	1	1				
	HOLD DOWN PLATE, GTCHB 5 RND, 316 SS													1	1	1	1
7	HOLD DOWN PLATE POST W/ EXT RET RING KIT, 304 SS	1	1	1	1					1	1	1	1				
	HOLD DOWN PLATE POST W/ EXT RET RING KIT, 316 SS					1	1	1	1					1	1	1	1
8	O-RING, 199.5mm ID 11mm CS, BUNA	1	1	1	1	1	1	1	1	1	1	1	1	1	1	1	1
9	V POST, GTCHB SERIES, 10" 304 SS	4								5							
	V POST, GTCHB SERIES, 20" 304 SS		4								5						
	V POST, GTCHB SERIES, 30" 304 SS			4								5					
	V POST, GTCHB SERIES, 40" 304 SS				4								5				
	V POST, GTCHB SERIES, 10" 316 SS					4								5			
	V POST, GTCHB SERIES, 20" 316 SS						4								5		
	V POST, GTCHB SERIES, 30" 316 SS							4								5	
	V POST, GTCHB SERIES, 40" 316 SS									4							5
10	V-BAND CLAMP, GTCHB SERIES, 4 & 5 RND	1	1	1	1	1	1	1	1	1	1	1	1	1	1	1	1
11	PIPE PLUG, 1/4", HEX HEAD, 304 SS	1	1	1	1					1	1	1	1				
	PIPE PLUG, 1/4", HEX HEAD, 316 SS					1	1	1	1					1	1	1	1
12	PIPE PLUG, 1/2", HEX HEAD, 304 SS	2	2	2	2					2	2	2	2				
	PIPE PLUG, 1/2", HEX HEAD, 316 SS					2	2	2	2					2	2	2	2

SIZE <b>B</b>	DWG. NO. <b>CS094</b>	REV <b>A</b>
SCALE: 1:1	WEIGHT:	SHEET 2 OF 3

8 7 6 5 4 3 2 1



3x  $\phi$ .50  
MOUNTING HOLE  
ON  $\phi$ 11.06 B.C.



SIZE <b>B</b>	DWG. NO. <b>CS094</b>	REV <b>A</b>
SCALE: 1:4	WEIGHT:	SHEET 3 OF 3

8 7 6 5 4 3 2 1